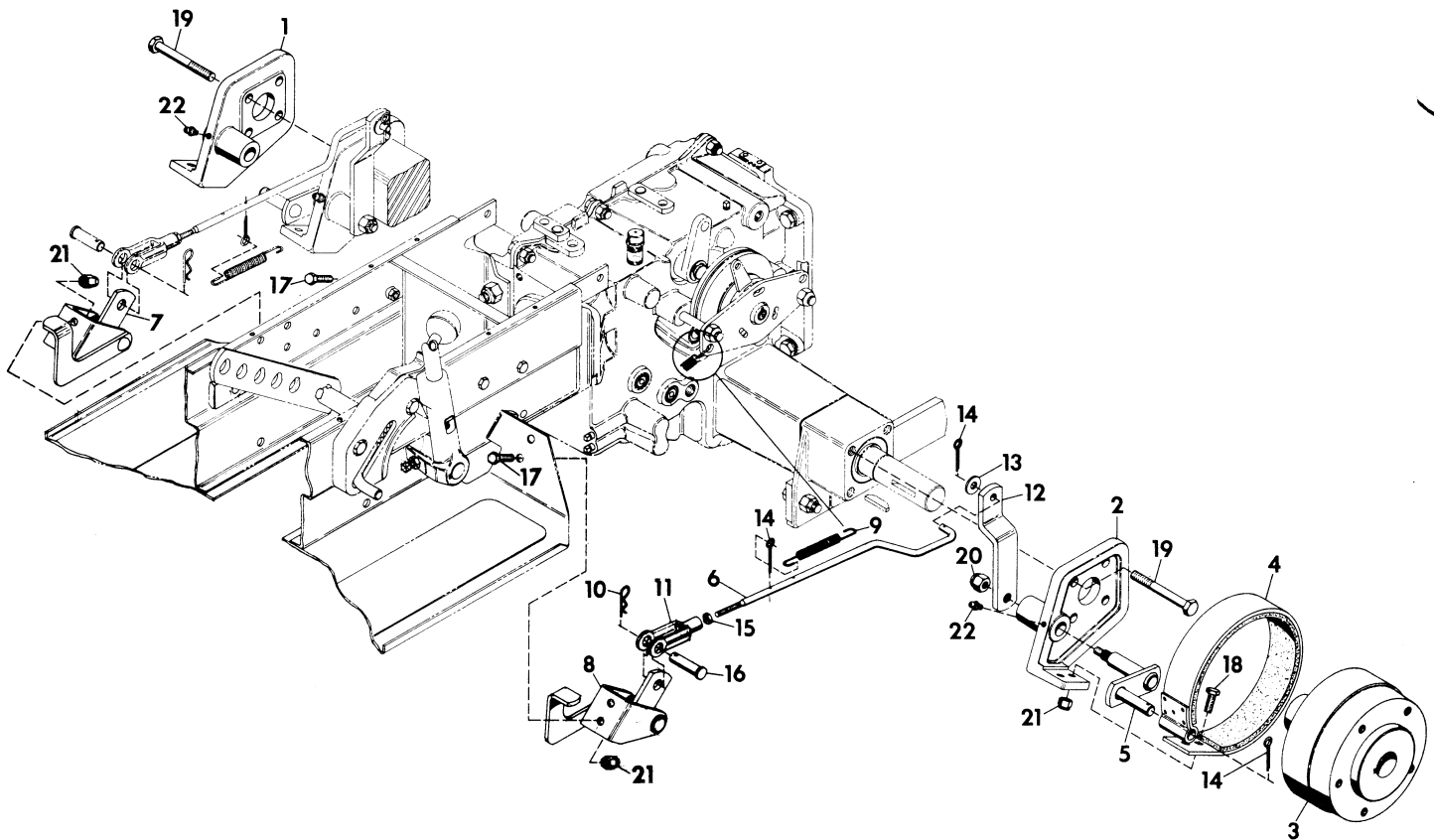
**WHEEL BRAKE KIT INSTALLED ON 800 SERIES TRACTOR****GENERAL**

1. The Wheel Brakes are designed and built to give many years of excellent service. The brakes are steering assist brakes to be used in difficult steering conditions; each brake is operated separately.
2. The Owners Manual includes the parts list, setting up the brakes, safety, operation and maintenance instructions. Use the parts list for reference to individual part numbers. Contact the Gravelly Dealer for further information.
3. Drums: 6-1/2 in. diameter, cast iron, 23-3/4 sq. ins. contact area
Bands: Composition bonded to steel 20 sq. ins. contact area
Power: Foot operated, spring return mechanical linkage
Features: External contracting bands
Usage: Steering assist for difficult steering conditions
Application: All 800 series tractors



<u>ITEM NO.</u>	<u>PART NO.</u>	<u>DESCRIPTION</u>
1	20182P1	Casting, Brake R. H.
2	20183P1	Casting, Brake L. H.
3	20184P1	Drum, Brake
4	20185A1	Brake Band Assembly
5	20188A1	Pin-Shaft Weldment
6	20193P1	Rod, Brake
7	20207A1	Brake Pedal Weldment R. H.
8	20208A1	Brake Pedal Weldment L. H.
9	11263P1	Spring, Ext. Type
10	11860P1	Pin, Hair Cotter
11	18380P1	Clevis 3/8-24 Adjustable
12	20192P1	Link
13	120388	Washer, Flat 7/16 x 1 x .083
14	121222	Pin, Cotter 3/32 x .75
15	124925	Nut, Jam 3/8-24 Hex
16	138078	Pin, Clevis 3/8 x .948
17	180075	Bolt, Hex 5/16-18 x 5/8
18	180079	Bolt, Hex 5/16-18 x 1
19	180193	Bolt, Hex 1/2-13 x 3-3/4
20	192481	Nut, Lock 3/8-24 Washer Insert
21	9419455	Nut, Lock 5/16-18 Washer Insert
22	9411027	Fitting, Lube 1/4-28

fig 1 ILLUSTRATED PARTS LIST

ASSEMBLY

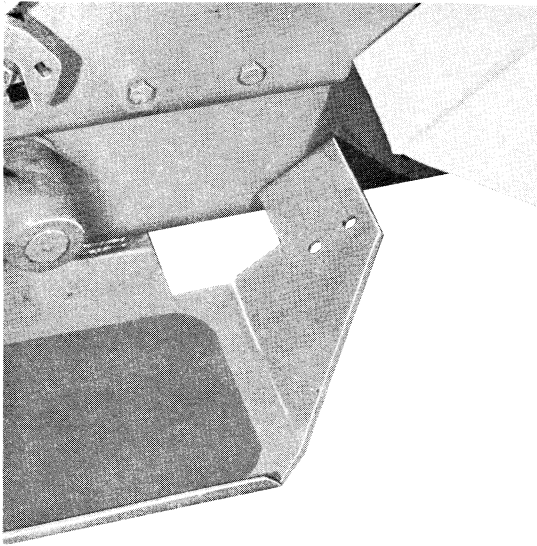


fig 2

1. Make the cutouts and holes in the footboards if necessary, fig 2. Use the template supplied.
2. Bolt the pedal assemblies to the footboards, fig 1, Items 7, 8, 17 & 21.
3. Raise the rear of the tractor and remove the wheels, "E" rings, hubs, and woodruff keys.
4. Drain the transmission.
5. While the transmission is draining, fasten the bands to the brake casting with nuts, bolts, and cotters, fig 1, Items 1, 2, 4, 14, 18 & 21. Loosen the nuts on the links, fig 1, Item 20.
6. Run the jam nuts all the way on the brake rods. Run the clevises half way on, fig 1, Items 6, 11 & 15.
7. Fasten the clevises to the pedals with the clevis pins and hair pin cotters, fig 1, Items 10 & 16.
8. Remove the axle bearing retaining bolts. Fasten the brake casting 20183P1 on the left side with the longer bolts supplied. Fasten the brake casting 20182P1 on the right side with the longer bolts, fig 1, Items 1, 2 & 19.
9. Install the woodruff keys on the axles. Put the brake drums on and fasten them with the "E" rings, fig 1, Item 3.
10. Holding the brake bands tight on the drums, adjust the links as straight up as possible. Tighten the nut, fig 3.

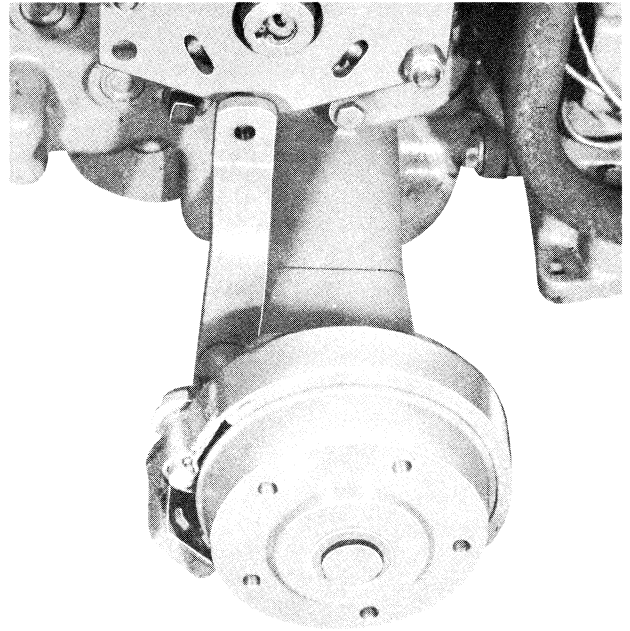


fig 3

11. Adjust the brake rods so that tension must be applied to get them in the holes of the links. Fasten them with washers and cotter pins, fig 1, Items 13 & 14.
12. Tighten the jam nuts against the clevises.
13. Left Side: Install a cotter pin from the top side in the most forward hole in the brake rod, fig 1, Item 14.
Right Side: Install a cotter pin from the bottom side in the most rearward hole in the brake rod, fig 1, Item 14.
14. Connect the springs to the heads of the cotters and the holes in the clutch plates, fig 1, Item 9.
15. Refill the transmission.
16. Grease the brake casting pin shafts with general purpose grease.
17. Bolt the wheels to the drums and lower the tractor.

LUBRICATION

1. Grease the pin shafts periodically with general purpose grease.

SAFETY PRECAUTIONS

1. DO NOT USE THESE BRAKES FOR SLOWING OR STOPPING. These brakes are for use to assist steering control only. Their use as service brakes can produce hazardous upsets and can cause severe damage to the tractor transmission. Use the master service brake for slowing or stopping.
2. ALWAYS USE STEERING ASSIST BRAKES WITH CAUTION. Do not use them at high speeds and be extra careful in their use on slopes. Careless use can cause serious upsets.
3. NEVER USE STEERING ASSIST BRAKES AT TRANSPORT SPEEDS; 3RD & 4TH GEAR, HIGH RANGE. High speed, brake assisted turns will cause dangerous roll overs. Slow down for turns.
4. READ THE TRACTOR OWNERS MANUAL. Be familiar with all controls and follow safety precautions outlined in the tractor manual.

FORM NO: 20792L2

EFFECTIVE DATE: 5-1-74

PRINTED IN U S A

OPERATION

1. Use the left brake to make the tractor "pull" to the left.
2. Use the right brake to make the tractor "pull" to the right.

ADJUSTMENTS

1. Disconnect the springs.
2. Loosen the jam nuts from the clevises.
3. Remove the hair pin cotters and the clevis pins.
4. Loosen the brake casting pin shaft nuts.
5. Holding the brake bands tight on the drums, adjust the links as straight up as possible. Tighten the nuts.
6. Adjust the clevises on the brake rod so that a slight pulling on the brake rods is necessary to get the clevis pins through the holes in the clevises and the brake pedal assemblies.
7. Fasten the clevis pins with the hair pin cotters.
8. Tighten the jam nuts against the clevises.
9. Connect the springs.

WARRANTY

Products manufactured by Gravely are warranted to be free from defective material and workmanship for a period of one year from date of purchase, under normal use by a homeowner, and for a period of ninety (90) days from date of purchase, when used for commercial purposes.

Any defective part manufactured by Gravely will be replaced without charge provided such part is certified as defective by the manufacturer or by the manufacturer's expressly authorized representative.

IMPORTANT PROVISIONS

The foregoing warranty is in lieu of all others and GRAVELY MAKES NO REPRESENTATION OR WARRANTY OF ANY KIND, EXPRESS OR IMPLIED, AS TO MERCHANTABILITY, FITNESS FOR PARTICULAR PURPOSE, OR ANY OTHER MATTER.

This warranty is not subject to change or modification by field representatives or Gravely dealers.

Certain components carry separate warranties by the manufacturer of such components. Defective components are subject to their manufacturer's warranties, and any claims, work, or return of parts must be through an authorized Gravely dealer. Service costs for the transporting of a unit to and from the dealer are the responsibilities of the customer, and when such service is performed by the dealer, the dealer will charge the customer the usual rate for such service.

It is the customer's responsibility to mail the "Warranty Card" to the manufacturer within fourteen (14) days after date of purchase to ensure prompt handling of any warranty claim by the dealer or the manufacturer.



A Division of Clarke-Gravely Corporation
ONE GRAVELY LANE
Clemmons, North Carolina 27012